

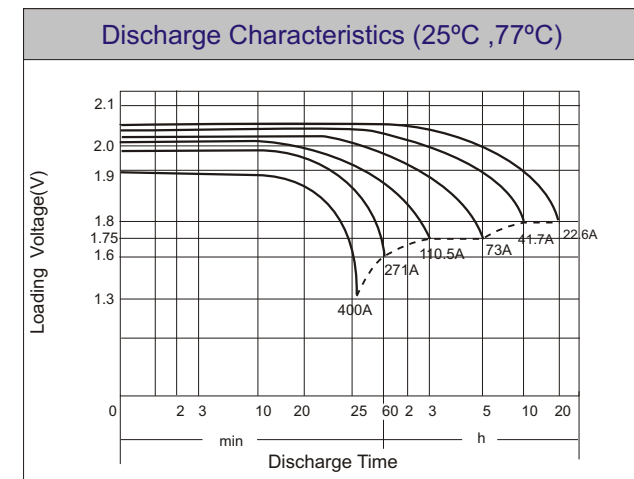
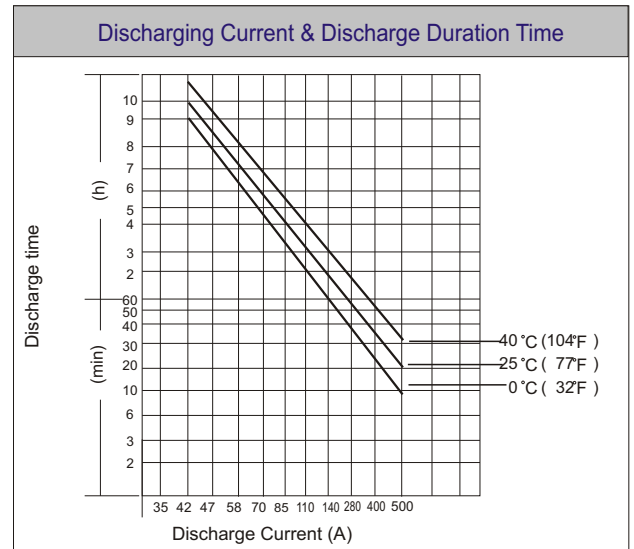
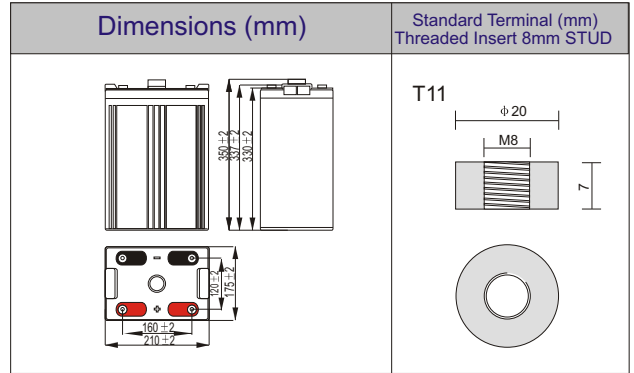


POWER-GUARD SERIES®



PG2V470

VRLA Sealed Long Life Battery



Nominal Voltage		2V
Nominal Capacity (20HR)		452AH
Dimension	Length	210±2mm (8.27 inches)
	Width	175±2mm (6.88 inches)
	Container Height	330±2mm (13.00 inches)
	Total Height (with Cover)	350±2mm (13.78 inches)
Weight		Approx 27kg (59.52lbs)
Standard Terminal		T11 Threaded Insert 8mm STUD

Electrical Specification					
Rated Capacity	20 hour rate (22.6A)	452 AH	Constant Voltage Charge	Cycle	Initial Charging Current less than 120A. Voltage 2.40V~ 2.50V at 25°C (77°F) Temp. Coefficient -5mV/°C
	10 hour rate (41.7 A)	417 AH			
	8 hour rate (50.0 A)	400 AH			
	5 hour rate (73.0 A)	365 AH			
	3 hour rate (110.5A)	331.5AH			
1 hour rate (271.0A)	271.0AH	Standby	No limit on Initial Charging Current Voltage 2.25V~2.30V at 25°C(77°F) Temp. Coefficient - 3mV/°C		
Capacity affected by Temperature	40°C (104°F)			103%	
	25°C (77°F)			100%	
	0°C (32°F)	86%			

Constant Current (Amp) and Constant Power (Watt) Discharge Table (25°C,77°F)											
Time(minute) Final voltage	30	45	60	120	180	240	300	360	480	600	1200
	1.3	1.3	1.6	1.7	1.75	1.75	1.75	1.75	1.8	1.8	1.8
Amp/Watt/Cell											
Amps	417.0	291.9	271.0	150.1	110.5	87.6	73.0	64.6	50.0	41.7	22.6
W/Cell	788.1	579.6	536.7	298.6	220.2	174.7	145.5	129.3	100	83.4	45.3